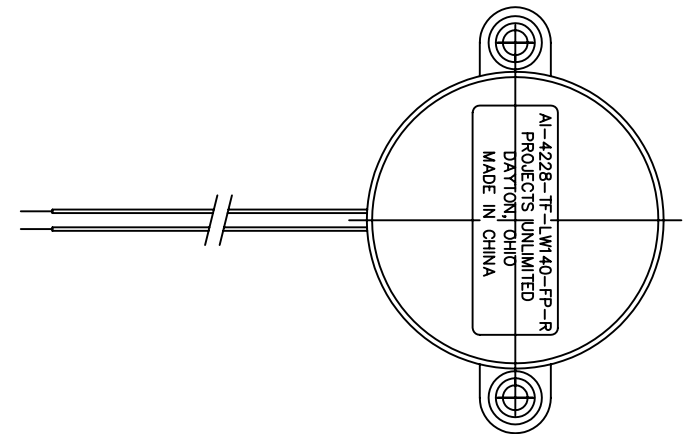
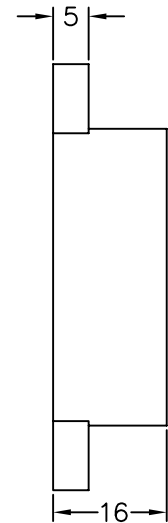
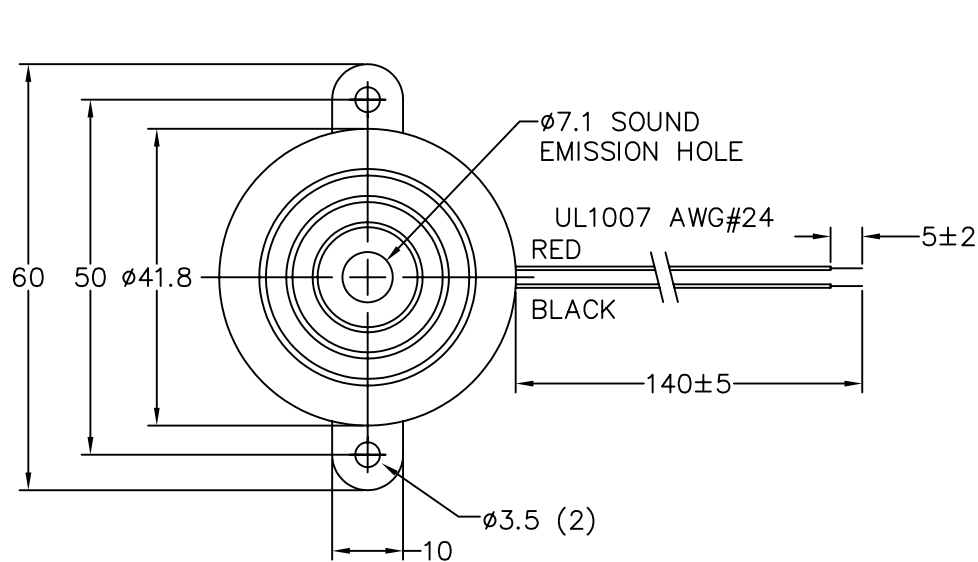


THIS DOCUMENT CONTAINS DATA PROPRIETARY TO PROJECTS UNLIMITED, INC. ANY USE OR REPRODUCTION, IN ANY FORM, WITHOUT PRIOR WRITTEN PERMISSION OF PROJECTS UNLIMITED, INC. IS PROHIBITED.
© 2005, Projects Unlimited Inc.

SPECIFICATIONS

PARAMETERS	VALUES	UNITS
RATED VOLTAGE	12	Vdc
OPERATING VOLTAGE RANGE	3 ~ 20	Vdc
RATED CURRENT (MAX)	10	mA
MINIMUM SPL @ 10 CM	98	dBA
RESONANT FREQUENCY	2800±500	Hz
TONE OR PULSE RATE	FAST	3.5 PULSE PER SECOND
OPERATING TEMPERATURE	-20 ~ +60	°C
STORAGE TEMPERATURE	-30 ~ +70	°C
HOUSING MATERIAL	ABS	-
TERMINAL MATERIAL	LEAD WIRES	-
WEIGHT	13	grams


REVISIONS			
LTR	DESCRIPTION	DATE	APPROVED
-	RELEASED FROM ENGINEERING	3/21/06	



NOTES:

1. ALL DIMENSIONS ARE IN MILLIMETERS.
2. SPECIFICATION SUBJECT TO CHANGE OR WITHDRAWAL WITHOUT NOTICE.
3. THIS PART IS RoHS 2002/95/EC COMPLIANT

FILE NAME
AI-4228-TF-LW140-FP-R.DWG

UNLESS OTHERWISE SPECIFIED: DIMENSIONS ARE IN MILLIMETERS, TOLERANCES ARE ±0.5 AND ANGLES ARE ±3°.		 projects® unlimited Dayton, Ohio									
<table border="1"> <thead> <tr> <th>APPROVALS</th> <th>DATE</th> </tr> </thead> <tbody> <tr> <td>DRAWN <i>TG</i></td> <td>3/06</td> </tr> <tr> <td>CHECKED <i>BR</i></td> <td>3/06</td> </tr> <tr> <td>APPROVED <i>EP</i></td> <td>3/06</td> </tr> </tbody> </table>		APPROVALS	DATE	DRAWN <i>TG</i>	3/06	CHECKED <i>BR</i>	3/06	APPROVED <i>EP</i>	3/06	INDICATOR	
APPROVALS	DATE										
DRAWN <i>TG</i>	3/06										
CHECKED <i>BR</i>	3/06										
APPROVED <i>EP</i>	3/06										
SIZE A	DRAWING NO. AI-4228-TF-LW140-FP-R										
DO NOT SCALE DRAWING		SCALE: N.T.S.	SHEET 1 OF 1								